

# Appendix E

Preliminary Design Drawings

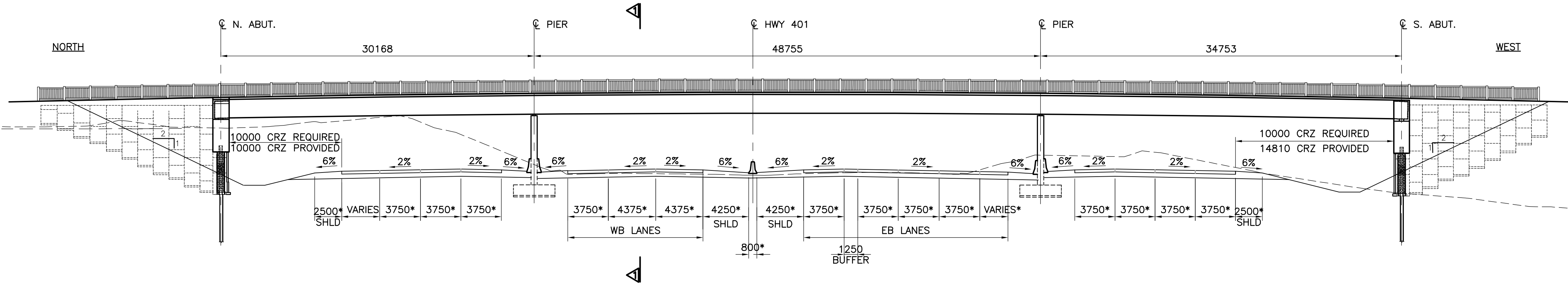
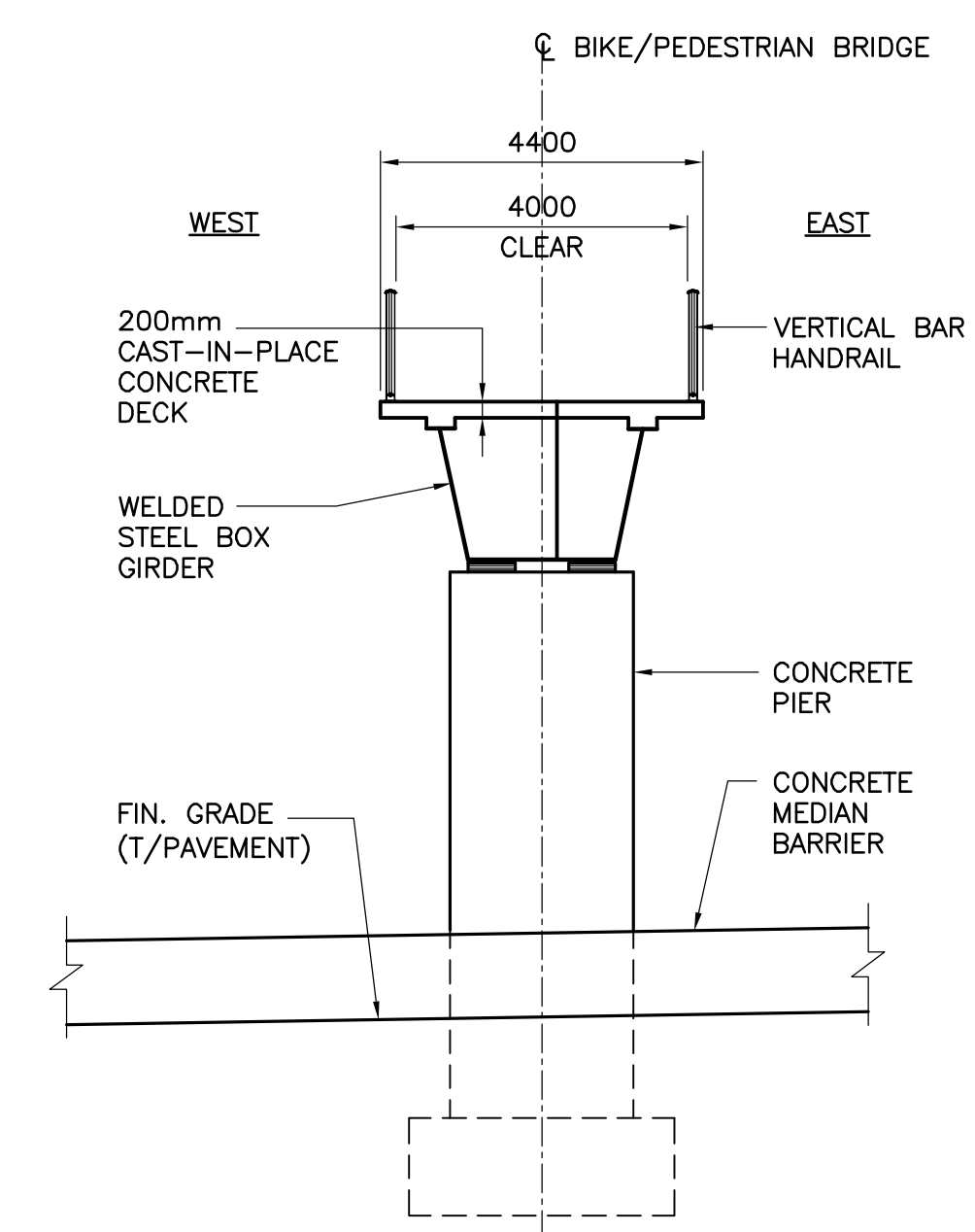
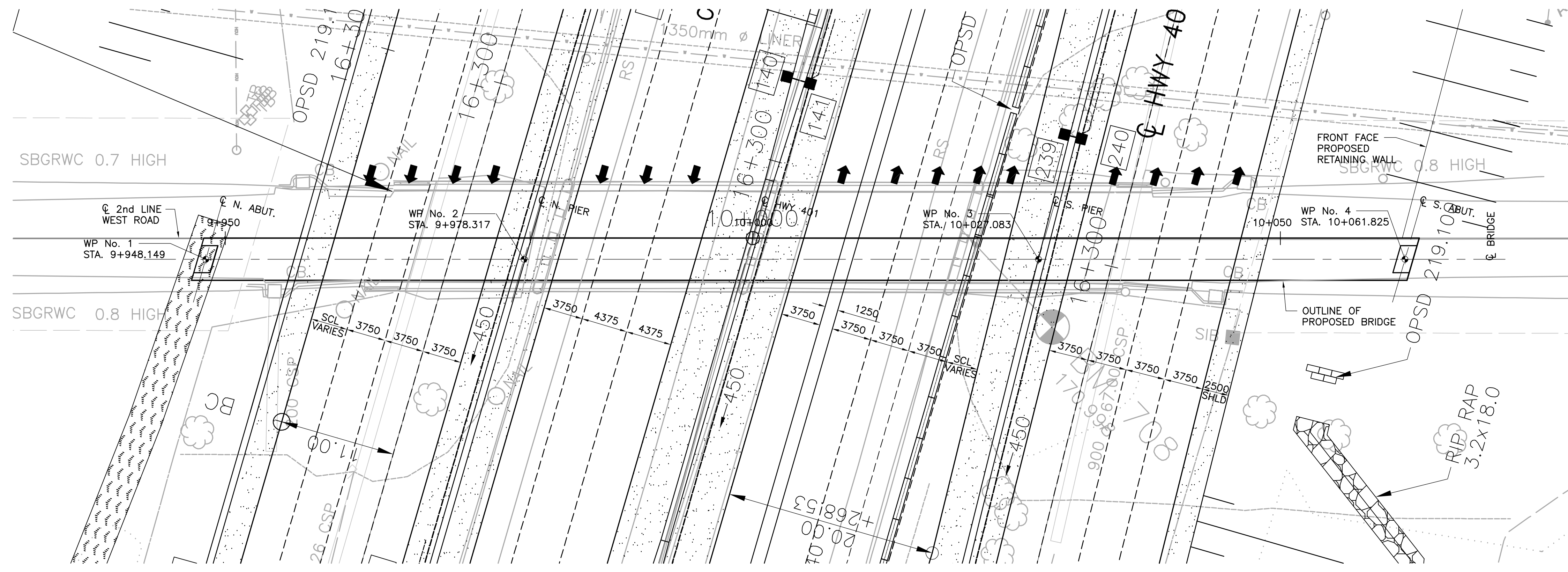
HWY. 401  
CONT  
WP ---

2nd LINE WEST ROAD  
PEDESTRIAN BRIDGE ALTERNATIVE  
STEEL BOX GIRDER

**AECOM**

SHEET

METRIC  
DIMENSIONS ARE IN METRES  
AND/OR MILLIMETRES  
UNLESS OTHERWISE SHOWN



DRAWING NAME: O:\60319049-00\WORK\910-CAD\20-SHEETS\60319049-ALT 1-STEEL BOX GIRDER  
CREATED: NOVEMBER, 2011 MODIFIED: MAY 15, 2014

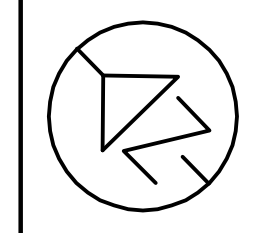
DRAWING NOT TO BE SCALED  
100mm ON ORIGINAL DRAWING

REVISIONS		DESCRIPTION		
DESIGN M.S.	CHK --	CODE CHBDC-00	LOAD CL625-ONT	DATE MAY 2,14
DRAWN B.J.B	CHK --	SITE --		DWG 1

DRAWING NAME: O:\60319049\_MISSISSAUGA 2ND LINE\900-WORK\910-CAD\20-SHEETS\60319049\_Alt 2\_STEEL TRUSS  
 CREATED: NOVEMBER, 2011 MODIFIED: May 15, 2014  
 PROJECT: 603-03 88-05  
 MINISTRY OF TRANSPORTATION, ONTARIO

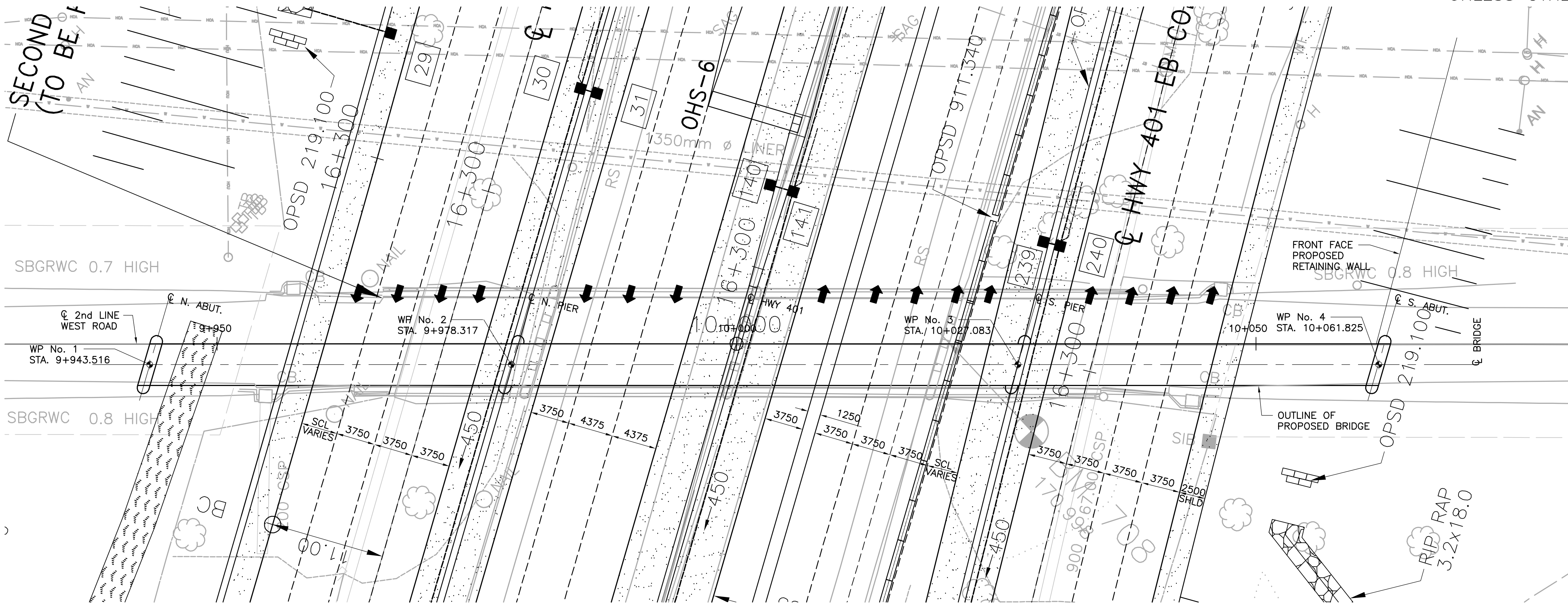
**METRIC**  
 DIMENSIONS ARE IN METRES  
 AND/OR MILLIMETRES  
 UNLESS OTHERWISE SHOWN

HWY. 401  
 CONT  
 WP ---

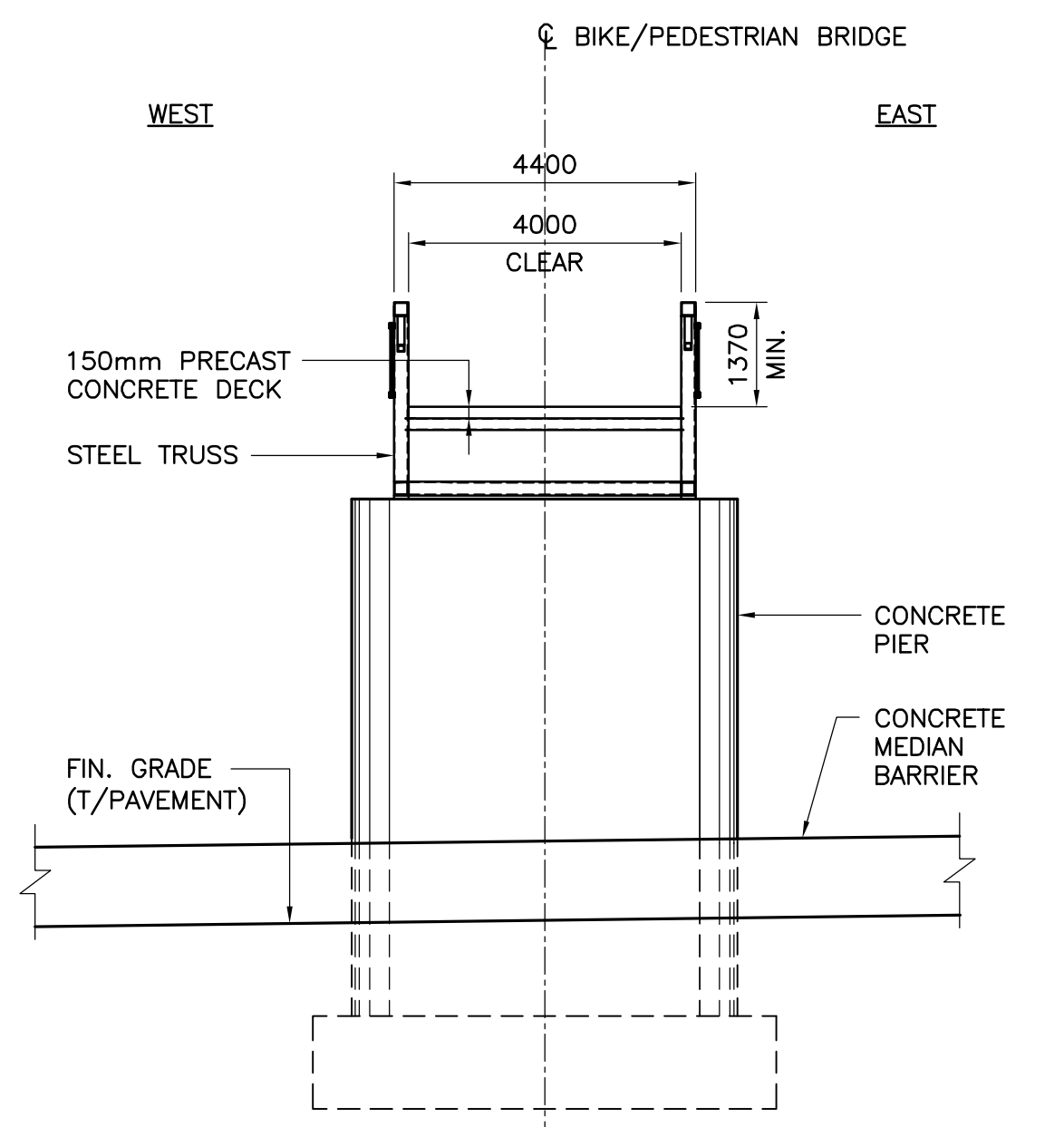


2nd LINE WEST ROAD  
 PEDESTRIAN BRIDGE ALTERNATIVE  
 STEEL TRUSS

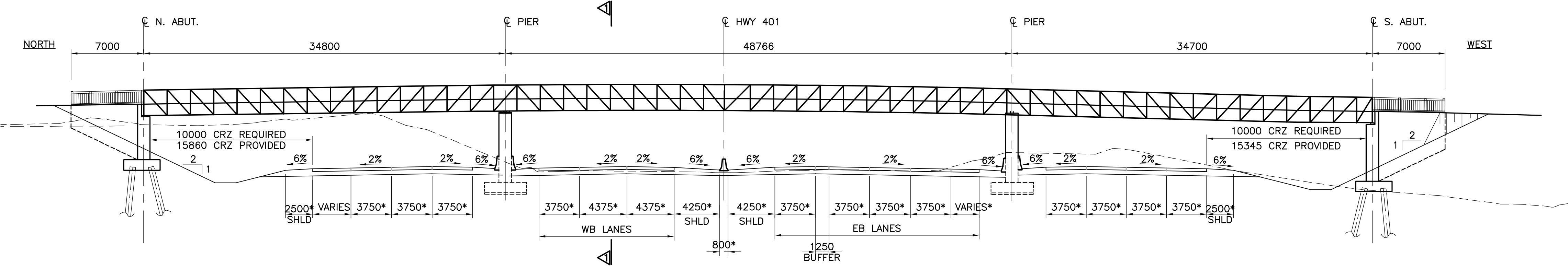
SHEET  
 .



**PLAN**  
 SCALE 1:250



SCALE 1:100



**WEST ELEVATION**  
 SCALE 1:250

DRAWING NOT TO BE SCALED  
 100mm ON ORIGINAL DRAWING

REVISIONS		DESCRIPTION		
DESIGN	M.S.	CHK	-	CODE CHBDC-00 LOAD CL625-ONT DATE MAY 12, 14
DRAWN	B.J.B	CHK	-	SITE - DWG 2