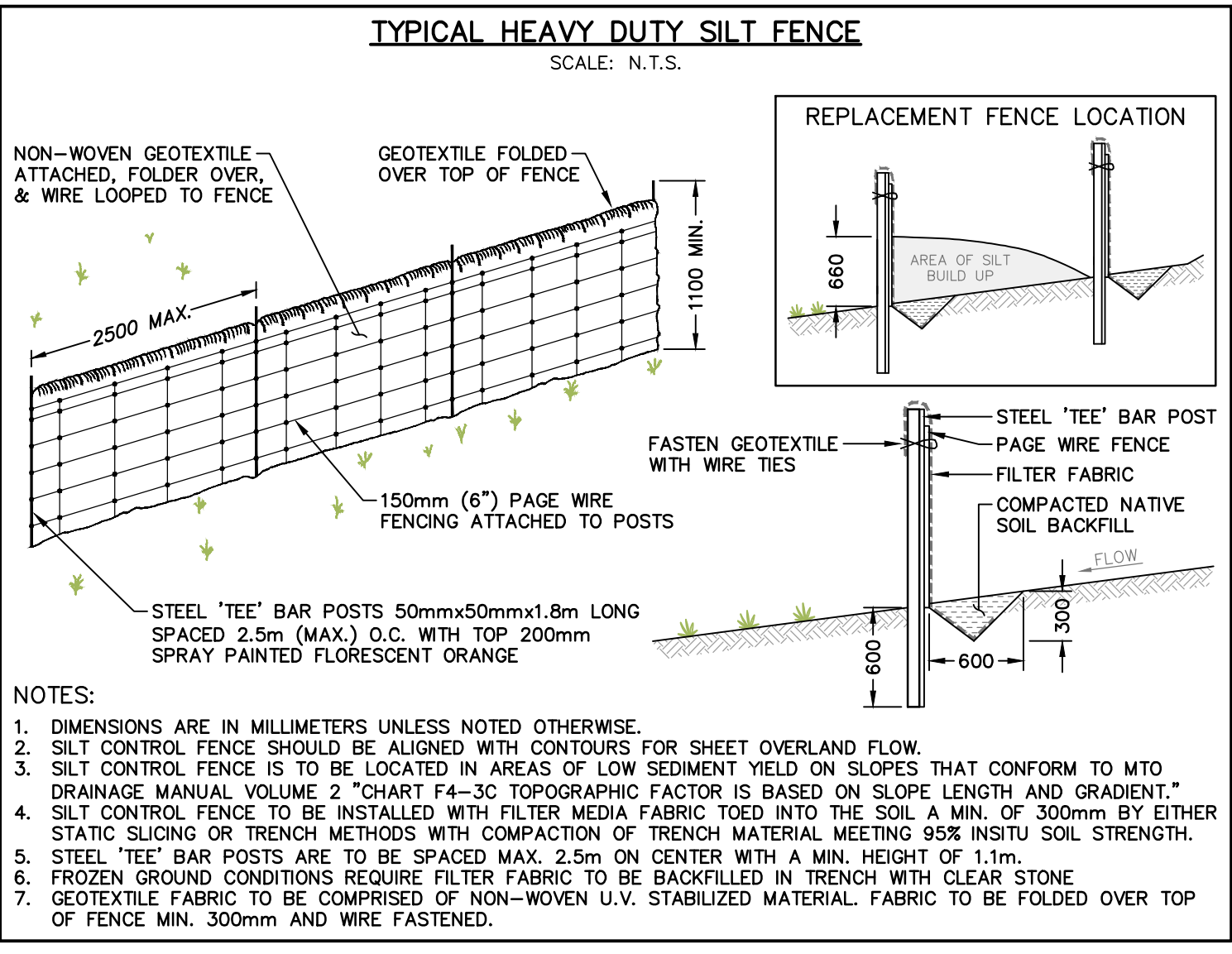
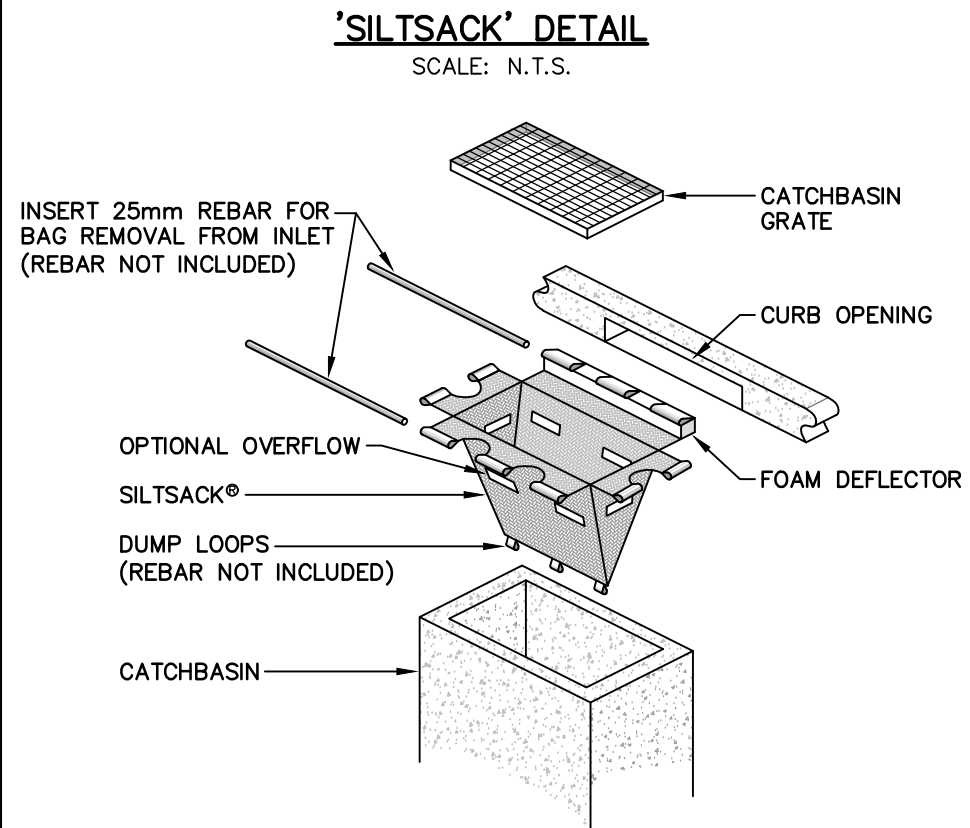
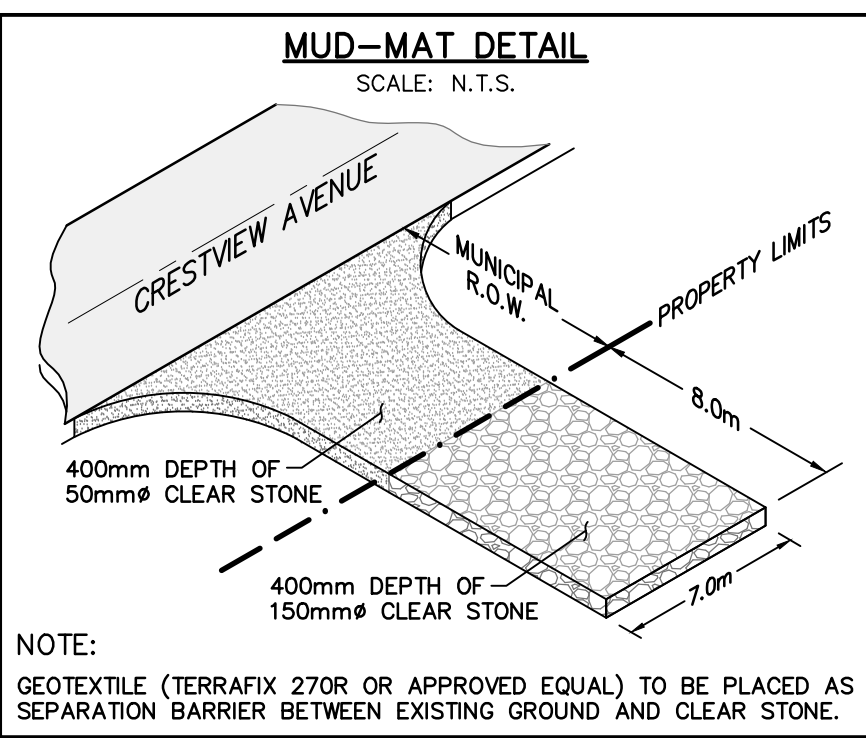


LEGEND

- PROPERTY LINE
- EXISTING CONTOUR (0.5m)
- EXISTING CONTOUR (1.0m)
- EXISTING DITCH
- EXISTING HYDRO POLE
- EXISTING FENCE
- EXISTING GRADE
- EXISTING OVERLAND FLOW DIRECTION
- MUD-MAT; SEE DETAIL
- SILT FENCE; SEE DETAIL



A	ISSUED FOR REVIEW	2018/JAN/12
No.	ISSUE / REVISION	YYYY/MM/DD

ELEVATION NOTE:
ELEVATIONS SHOWN ON THIS PLAN ARE REFERRED TO CITY OF MISSISSAUGA (CITY DATUM) BENCHMARK No. 709
ELEVATION = 98.279

SURVEY NOTES:
SURVEY COMPLETED BY TOM A. SENKUS ONTARIO LAND SURVEYOR. (2017/SEP/27)
REFERENCE No.: 17-50
BEARINGS ARE UTM GRID, DERIVED FROM RTN OBSERVATIONS
UTM ZONE 17, NAD83 (GSR5) (2010.0)
DISTANCES ARE GROUND AND CAN BE CONVERTED TO GRID BY MULTIPLYING BY THE COMBINED SCALE FACTOR OF 0.9996781

SITE PLAN NOTES:
DESIGN ELEMENTS ARE BASED ON SITE PLAN BY COMPANY INC.
DRAWING No.: XXX, REV.X (2000/NOV/20)
PROJECT No.: ###

DRAWING NOTES:
THIS DRAWING IS THE EXCLUSIVE PROPERTY OF C.F. CROZIER & ASSOCIATES INC. AND THE REPRODUCTION OF ANY PART OF IT WITHOUT PRIOR WRITTEN CONSENT OF THIS OFFICE IS STRICTLY PROHIBITED.
THE CONTRACTOR SHALL VERIFY ALL DIMENSIONS, LEVELS, AND DATUMS ON SITE AND REPORT ANY DISCREPANCIES OR OMISSIONS TO THIS OFFICE PRIOR TO CONSTRUCTION.
THIS DRAWING IS TO BE READ AND UNDERSTOOD IN CONJUNCTION WITH ALL OTHER PLANS AND DOCUMENTS APPLICABLE TO THIS PROJECT. DO NOT SCALE THIS DRAWING.
ALL EXISTING UNDERGROUND UTILITIES TO BE VERIFIED IN THE FIELD BY THE CONTRACTOR PRIOR TO CONSTRUCTION.

Project
200 SOUTH SERVICE ROAD & 201 RADLEY ROAD
CITY OF MISSISSAUGA

Drawing
REMOVALS PLAN
EROSION & SEDIMENT CONTROL PLAN

CROZIER & ASSOCIATES
Consulting Engineers

8 MARKET STREET
SUITE 600
TORONTO, ON M5E 1M6
416-477-3392 T
WWW.CFCROZIER.CA

Drawn: D.B./S.T.T. Design: B.P. Project No: **1110-4749**
Check: B.P. Check: A.S. Scale: 1:250 Dwg: **C 01**

NOT FOR CONSTRUCTION

PRELIMINARY