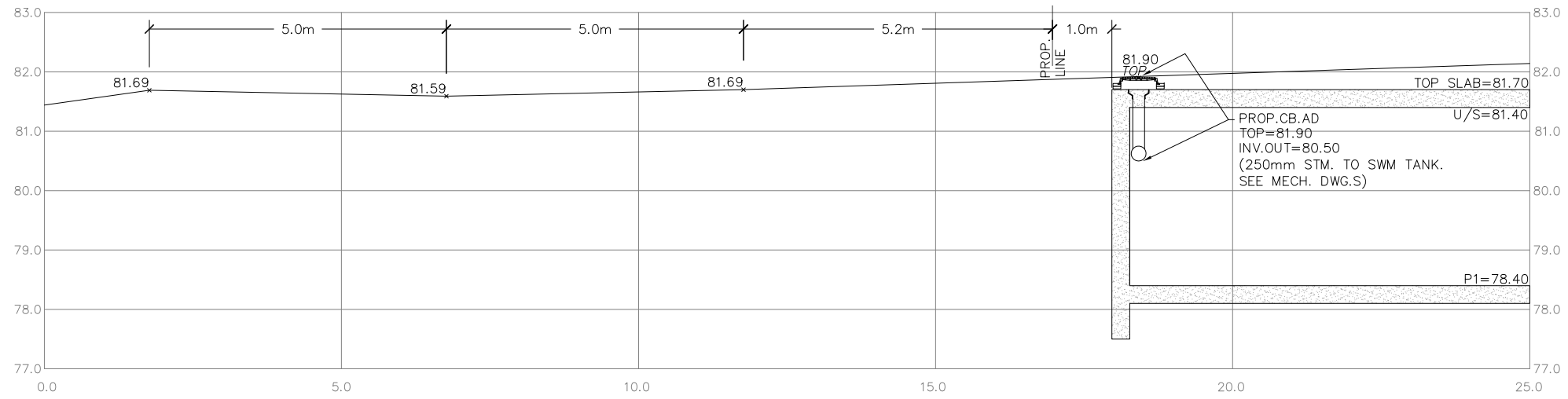
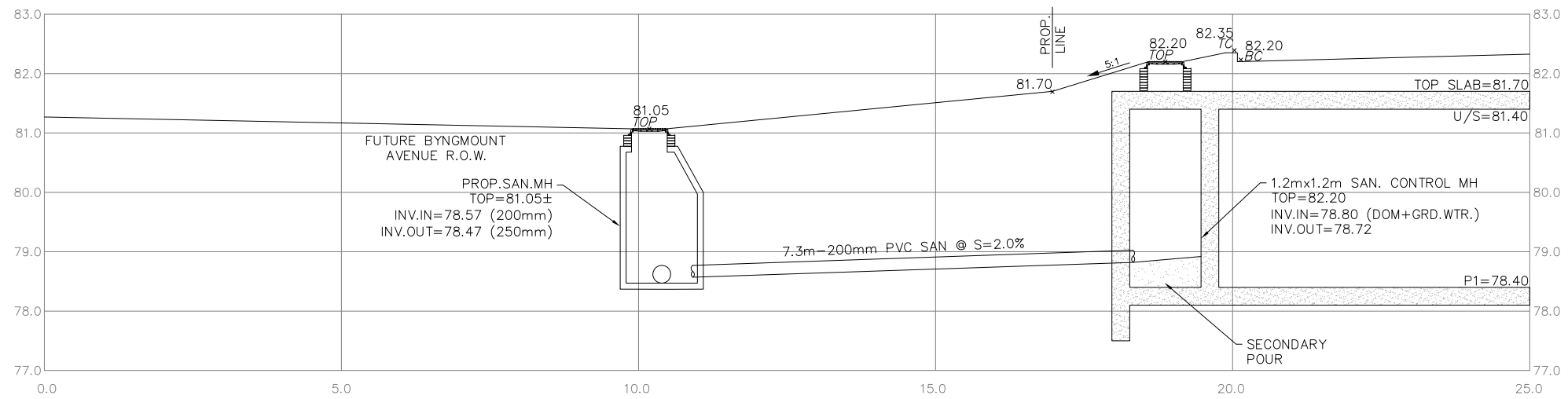


SECTION A: WATER CONNECTION



SECTION B: DRIVEWAY / HEADROOM



SECTION C: SANITARY CONNECTION

PROJECT NAME:
958-960 EAST AVENUE
 RESIDENTIAL DEVELOPMENT

DRAWING TITLE:
SITE SERVICING SECTIONS

fabian papa & partners
 A Division of FP&P Hydratek Inc.
 216 Chrislea Road, Suite 204
 Vaughan, Ontario, L4L 8S5
 t: 905-264-2420
 www.fabianpapa.com



DWN. BY:	J.M.J.
DESIGNED BY:	J.M.J.
CHECKED BY:	R.D.F.
SCALE:	NTS
DATE:	MARCH 2020
SHEET NO.:	2 OF 3
PROJECT NO.:	19002
DWG NO.:	DET-1
REV NO.:	0