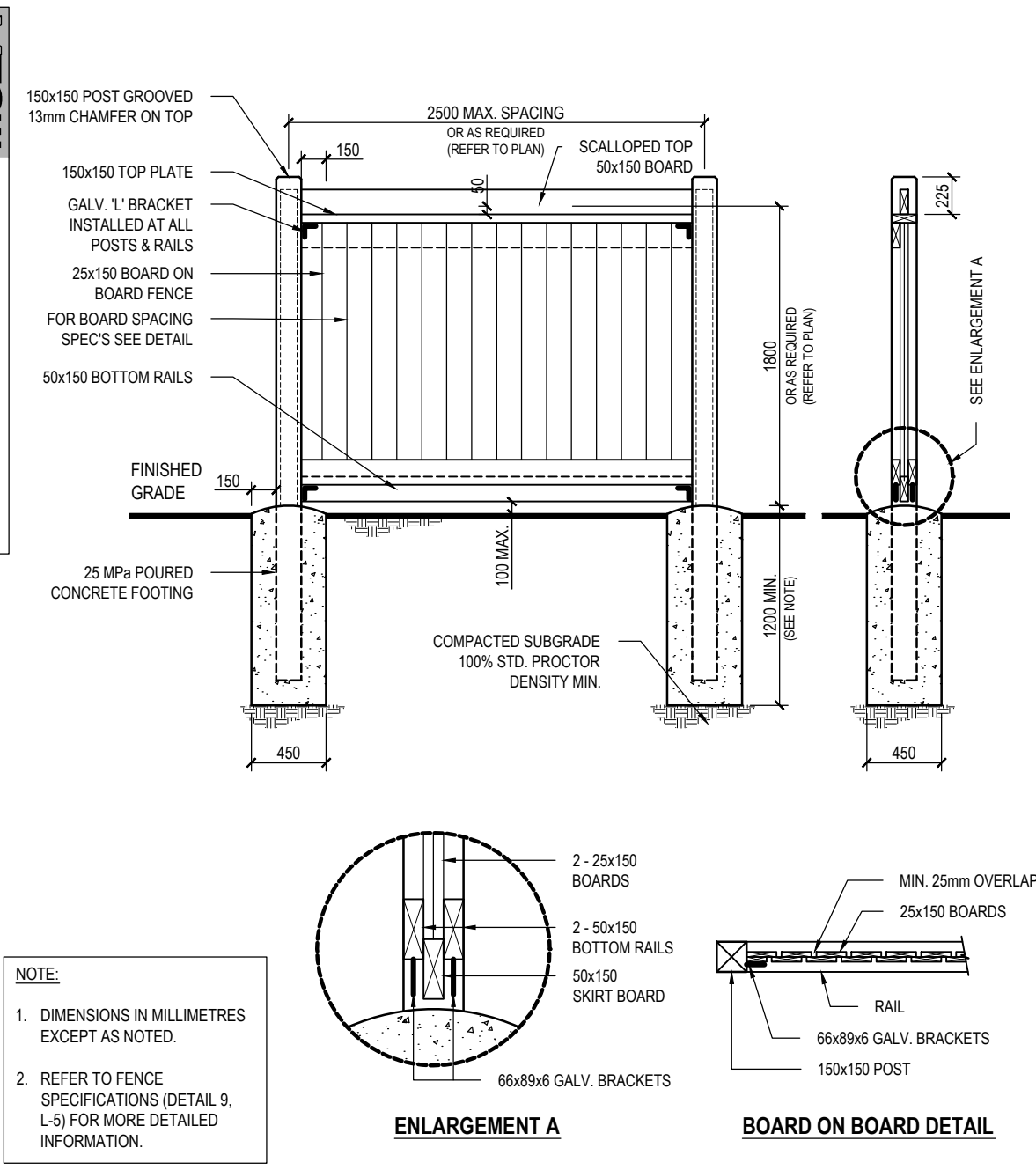


REFER TO PLAN FOR LOCATION



1.8 HT WOOD PRIVACY FENCE (CEDAR BOARD ON BOARD)

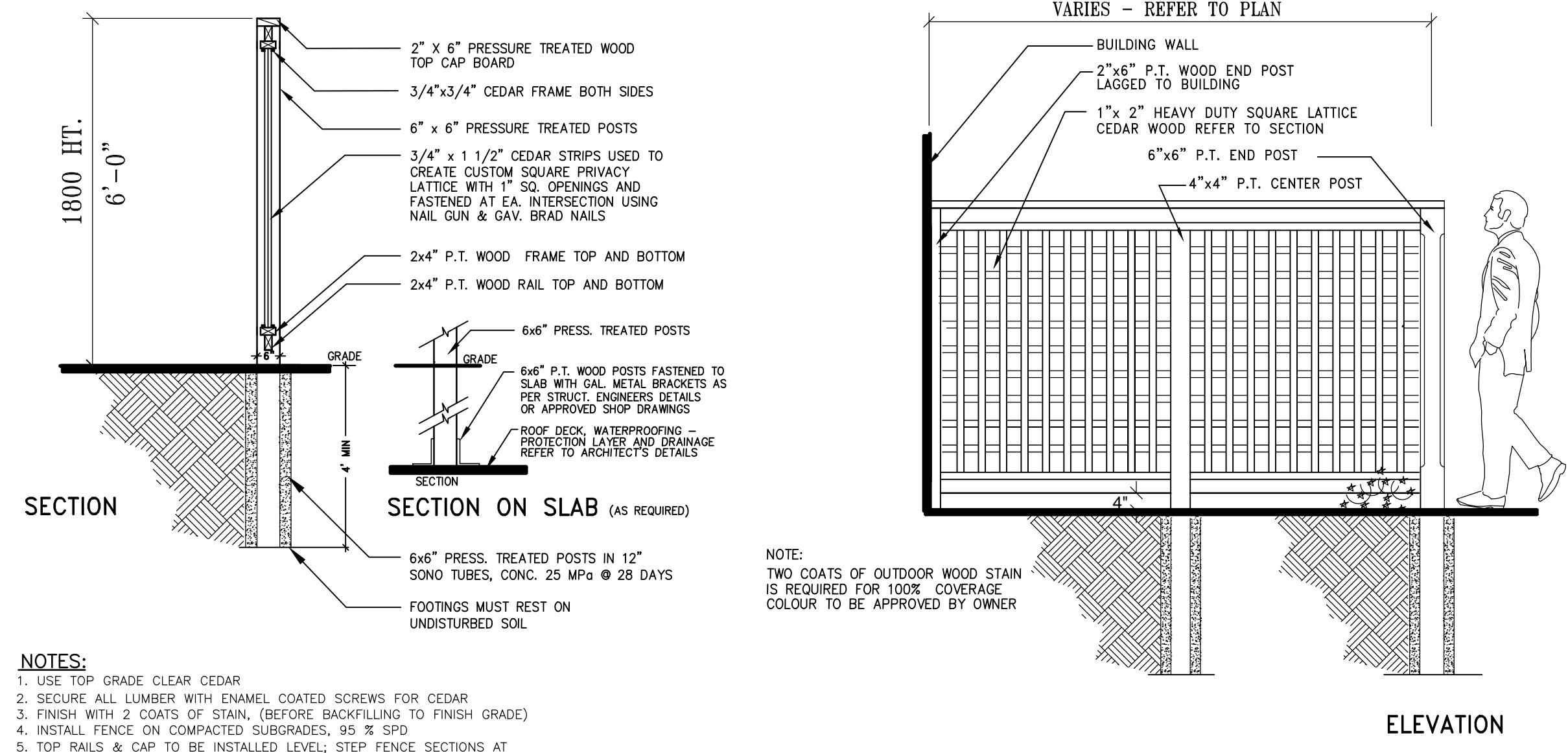
SCALE: N.T.S. DATE:

8 LD-02

NOTES

- ALL WOOD SHALL BE WESTERN CEDAR, SELECTED MAINLY FOR GOOD APPEARANCE AND FREE OF WANE AND BARK POCKETS. ALL TORN GRAIN SHALL BE FREE. ELIMINATED BY SANDING AND PLANING. MEMBERS EXHIBITING MODERATE TO HEAVY KNOTS SHALL BE WELL DISTRIBUTED THROUGHOUT THE INSTALLATION. POST SHALL BE SELECT KNOTTY (NLGA131A) RETENTION OF 20KG/SQ M SURFACE DENSITY.
- ALL WOOD SHALL BE DRESSED FOUR SIDES. ALL TIMBER CUTS SHALL BE STRAIGHT AND FLUMB.
- MOISTURE CONTENT OF WOOD SHALL NOT EXCEED 14% AT THE TIME OF CONSTRUCTION.
- ALL WOOD TO BEAR GRADING STAMP OF C.I.S. CERTIFIED AGENCY.
- TREAT BOTTOM SKIRT BOARD WITH C.C.A. PRESERVATIVE TO A RETENTION OF 4.0KG/M².
- STAIN FOR WOOD FENCE - STAIN SHALL PERMITTING.
- ALL FENCES SHALL BE INSTALLED WITHIN 30 DAYS OF INSTALLATION, WEATHER PERMITTING.
- STAIN FOR WOOD FENCE - STAIN SHALL CONSIST OF:
 - A. BASE OF BLENDED RESINS AND OILS IN A WATER SUSPENSION.
 - B. SUSPENDED SOLIDS WHICH ARE NOT LESS THAN 21% AND NOT GREATER THAN 31% BY VOLUME.
 - C. V.O.C.'S (VOLATILE ORGANIC COMPOUNDS) WHICH ARE NOT IN EXCESS OF 350G/L IN ACCORDANCE WITH A.S.T.M. D-2369.
 - D. LEVELS OF LIQUID MICROBICIDES AND ANY OTHER POTENTIAL TOXIC SUBSTANCES WHICH ARE ENVIRONMENTALLY SAFE (NOT REQUIRING PROVINCIAL OR FEDERAL REGISTRATION).
 - E. NONE OF THE FOLLOWING HAZARDOUS SUBSTANCES:
 - FOLPET (N-(TRICHLOROMETHYLTHIO) PHTHALIMIDE)
 - BIS (TRIBUTYL) OXIDE
 - COPPER NAPHTHENATE
 - COPPER 8 QUINOLINOLATE
 - ZINC NAPHTHENATE
- SUFFICIENT OXIDE PIGMENTS TO OBTAIN DESIRED COLOUR TONE AND LEVEL OF OPACITY (COLOUR TO BE APPROVED BY LANDSCAPE ARCHITECT)
- SECTION OF POST IMBEDDED IN CONCRETE FOOTING TO BE DIPPED IN CREOSOTE. LAG SCREWS AND BOLTS SHALL BE GALVANIZED AND CONFORM TO ASTM A307
- ALL GALVANIZING TO BE NOT DIPPED IN CONFORMANCE TO CSA STANDARD E164.
- THE ACOUSTIC FENCE SHALL HAVE A MINIMUM FACE DENSITY OF 20 kg/m².
- ALL NAILS GALVANIZED ARDOX, CONFORMING TO CSA STANDARD, AND 75mm UNLESS NOTED OTHERWISE. ALL NAILS TO BE EVENLY SPACES AND SET NOT LESS THAN 25mm FROM EDGE OF ANY MEMBER.
- RAILS - 3 NAILS TO POST AT EACH END, 3 NAILS THRU BOTTOM FRONT RAIL TO VERTICAL MEMBERS AND 3 NAILS TO SKIRT BOARD IN STAGGERED PATTERN.
- SKIRT RAIL - 2 NAILS TO POST AT EACH END.
- FACIA BOARD - 2 NAILS (50MM) EACH END TO VERTICAL MEMBERS AND 5 NAILS IN STAGGERED PATTERN ALONG BOARD.
- VERTICAL MEMBERS - 2 NAILS (88MM) TOP AND BOTTOM TO RAILS.
- COPING - 2 NAILS THRU EDGES TO POST AT EACH END AND 6 NAILS THRU TOP TO VERTICAL MEMBERS.
- FOUNDATION DESIGN IS BASED ON AN ALLOWABLE SOIL PRESSURE OF 90kN/M². OBTAIN PROFESSIONAL SOIL ENGINEER'S APPROVAL BEFORE CASTING CONCRETE FOR FOUNDATION.
- DESIGN WIND SPEED 80 KM/HR, GUST TO 100 KM/HR.
- CONCRETE FOR FOOTINGS SHALL HAVE A MINIMUM COMPRESSIVE STRENGTH OF 25 MPA IN 28 DAYS.
- FOR ACOUSTIC FENCE, BOTTOM RAIL SHALL BE SET ON GRADE. WHERE DRAINAGE IS TO BE CONVEYED THROUGH THE BARRIER, THEN THE DESIGN SHALL COMPLY WITH STANDARD DRAWING FRW-110.
- FIRE HOSE ACCESS TO BE DESIGNED IN ACCORDANCE WITH O.P.S.D. 998.101 & 998.151.
- FENCES CONSTRUCTED ON BERMS:
 - A. EXTEND FOOTINGS 300MM INTO UNDISTURBED SUB-GRADE.
 - B. COMPACT BERMS TO A MINIMUM OF 100% STANDARD PROCTOR DENSITY.
 - C. CONSTRUCT BERMS WITH A 1000MM FLAT TOP AND SIDE SLOPES NO STEEPER THAN 3:1.

REFER TO PLAN FOR LOCATION

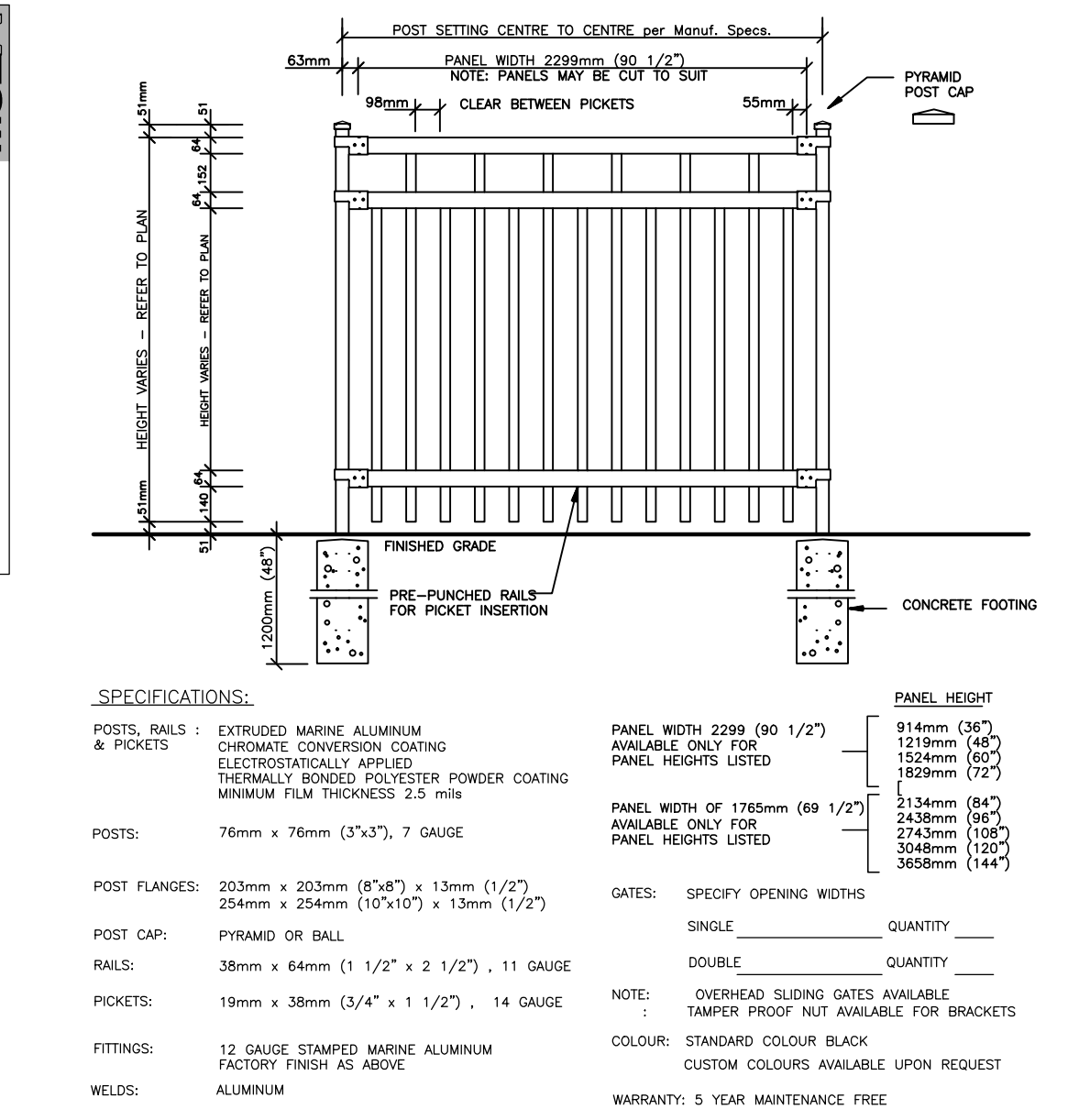


CEDAR WOOD PRIVACY SCREEN DETAIL

SCALE: N.T.S. DATE:

9 LD-02

REFER TO PLAN FOR LOCATION

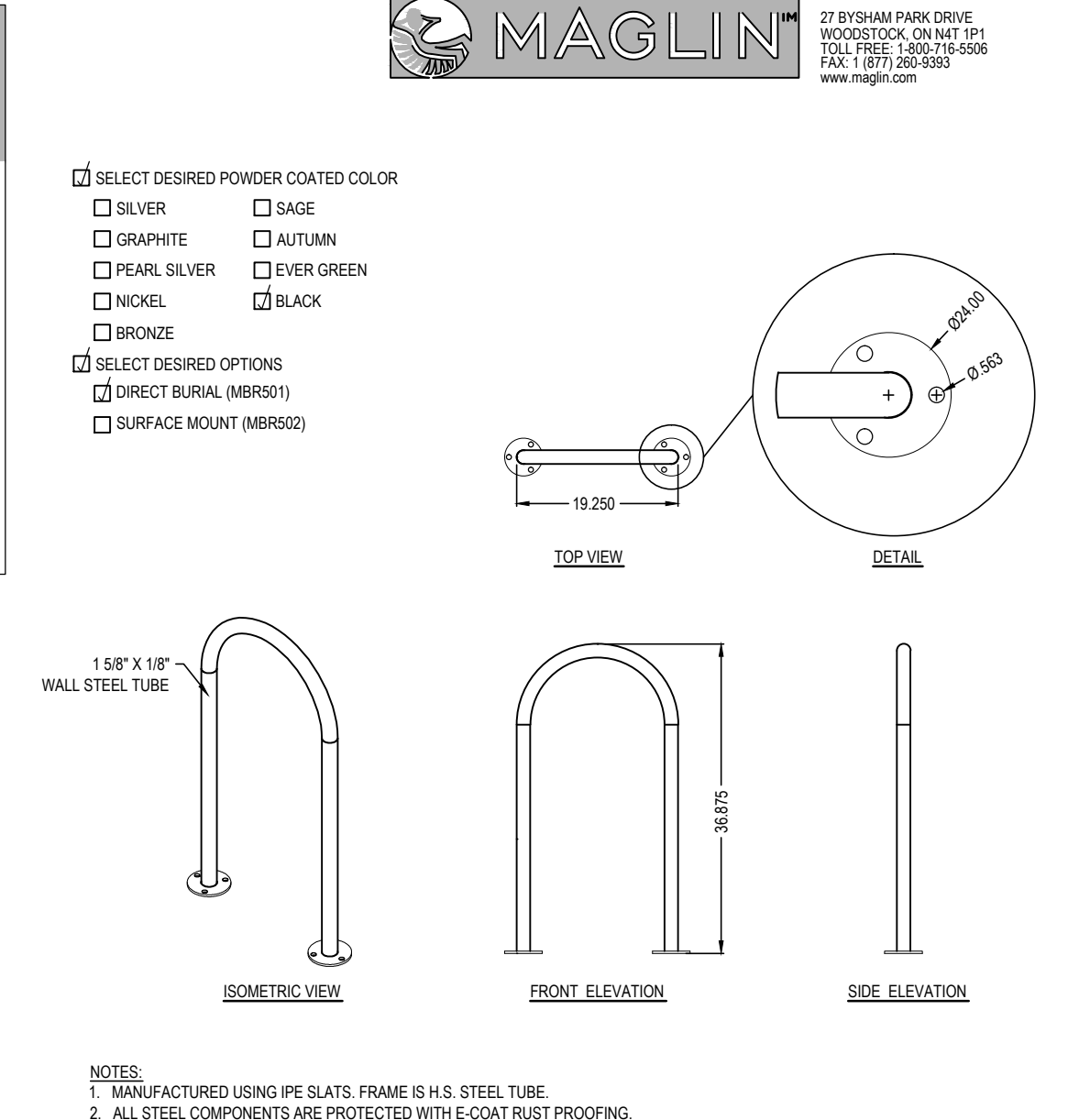


ORNAMENTAL METAL FENCE DETAIL - ALUMINUM

SCALE: N.T.S. DATE:

10 LD-02

REFER TO PLAN FOR LOCATION

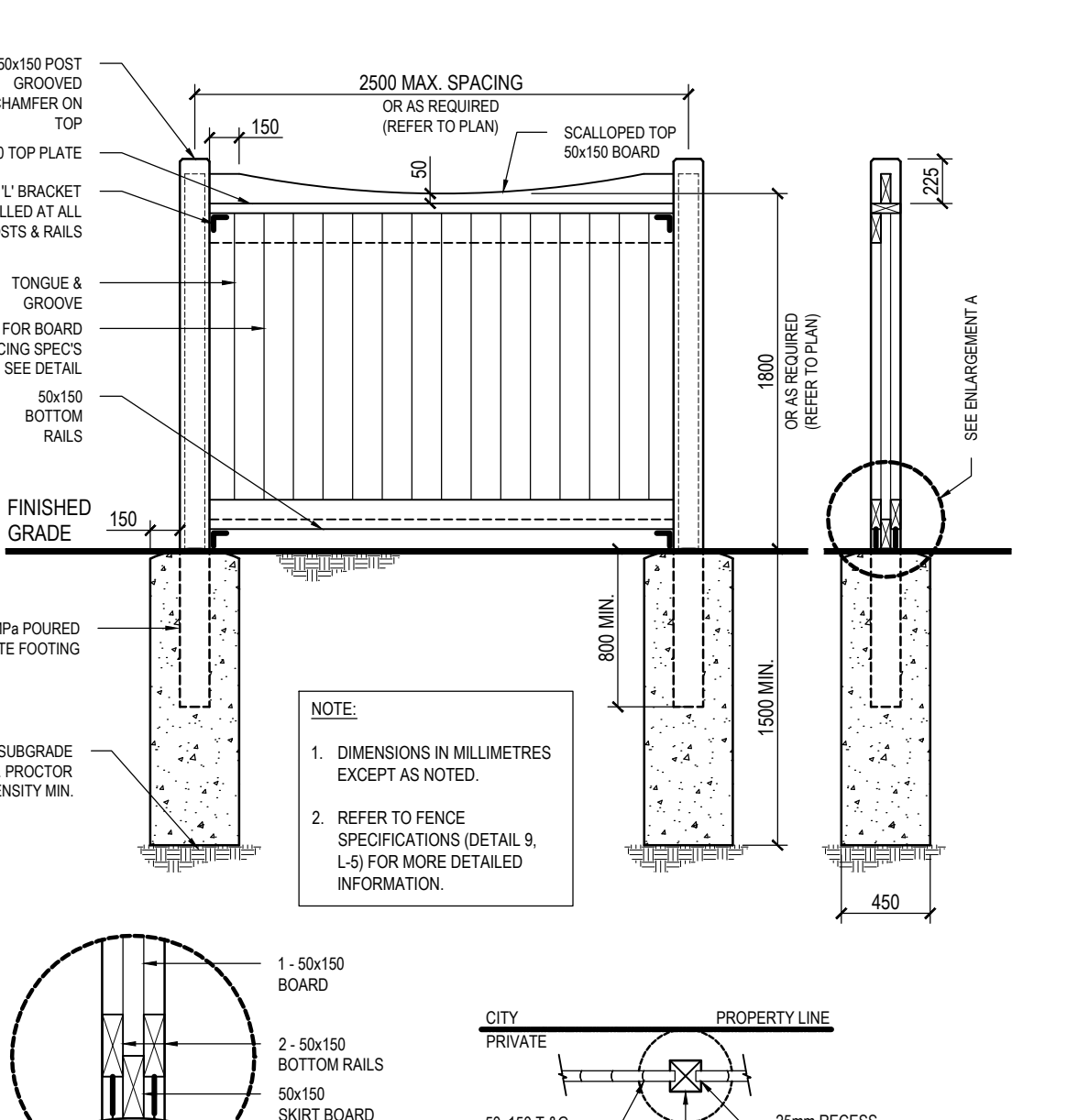


BIKE RING BY MAGLIN: MODEL MBR500

SCALE: N.T.S. DIRECT BURIAL

11 LD-02

REFER TO PLAN FOR LOCATION



1.8m HT WOOD ACOUSTIC FENCE (CEDAR T&G.)

SCALE: N.T.S. DETAIL DERIVED FROM CITY OF VAUGHAN ENGINEERING STANDARD FRW-102

12 LD-02

Notes:

No.	Revision	Date
6	Issued for Resubmission	10/24/17
5	Revised per Site Plan	10/13/17
4	Revised per Comments	03/17/17
3	Revised per Site Plan	02/14/17
2	Issued for Review	05/26/16
1	Issued for Coordination	05/16/16

North: Stamp:

Project:
Proposed Residential Development
 5155 Mississauga Road
 Streetsville, Ontario

Scale: **As Shown** Date: **May 2016**
 Drawn By: **D.R.** Checked By: **L.M.**

Drawing Title:
Landscape Details

Project No. **16128** Sheet No. **LD-02**

All information contained in these plans shall be checked by the contractor. All discrepancies shall be reported to the Landscape Architect (L.A.) before commencing with construction. All drawings have copyright and shall remain the property of the Landscape Architect. Copying or any reproduction in part or whole shall only be permitted with written consent of L.A. Drawings shall not be used for construction unless sealed, SIGNED, and stamped. All drawings shall be prepared by the Landscape Architect (L.A.) and shall remain the property of the Landscape Architect. The contractor shall confirm the exact location of all utility lines and markers, and shall assume liability for damages. All drawings shall be prepared by the Landscape Architect (L.A.) and shall remain the property of the Landscape Architect. The contractor shall confirm the exact location of all utility lines and markers, and shall assume liability for damages. **DO NOT SCALE DRAWINGS - PRELIMINARY NOT FOR CONSTRUCTION - THESE DRAWINGS ARE NOT TO BE USED FOR CONSTRUCTION UNTIL COUNTERSIGNED BY L. ARCHITECT - SIGNED.**