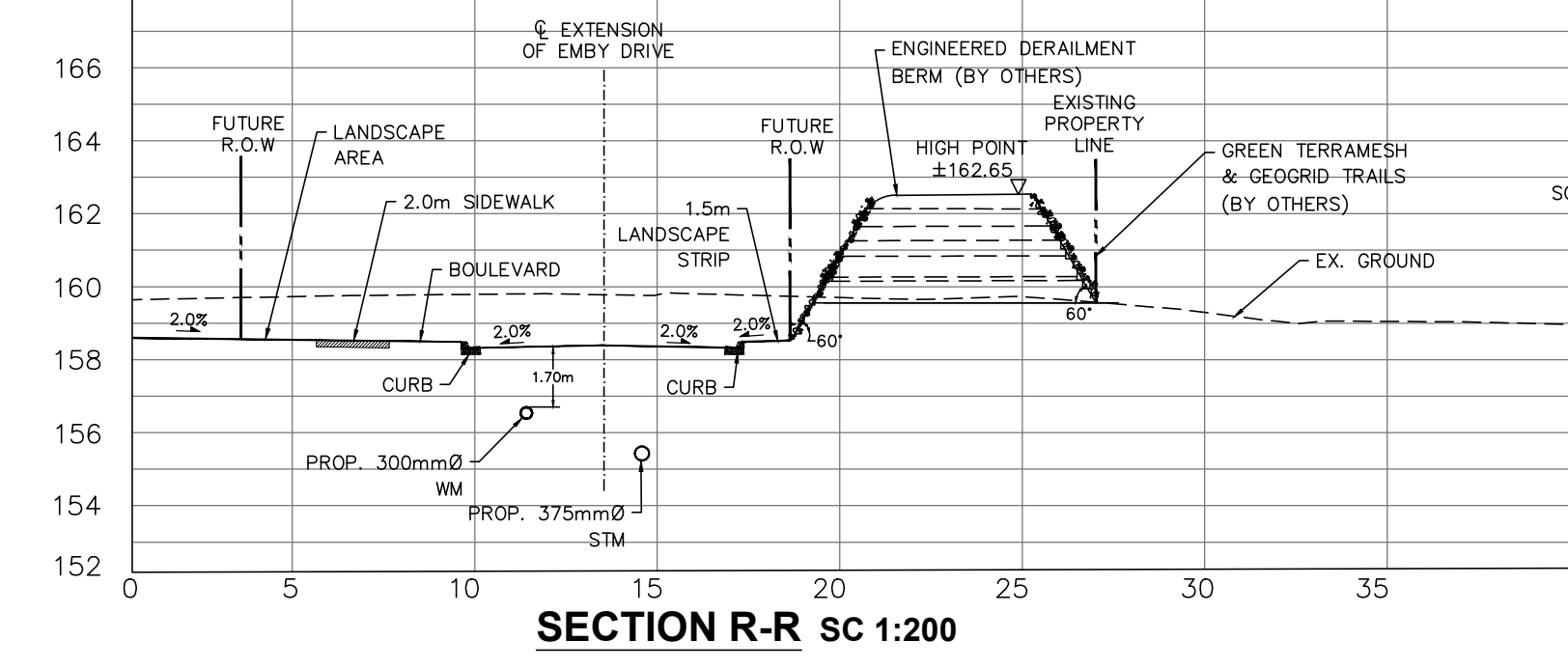
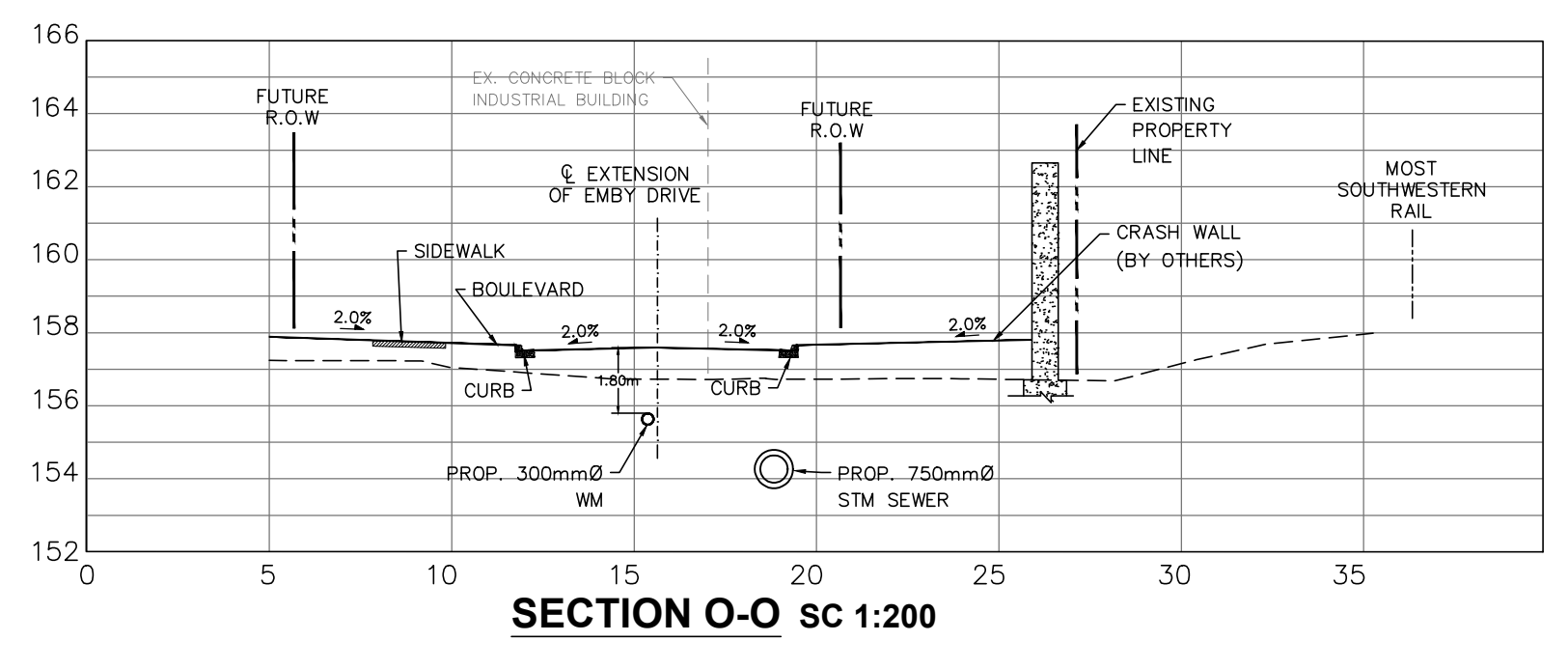
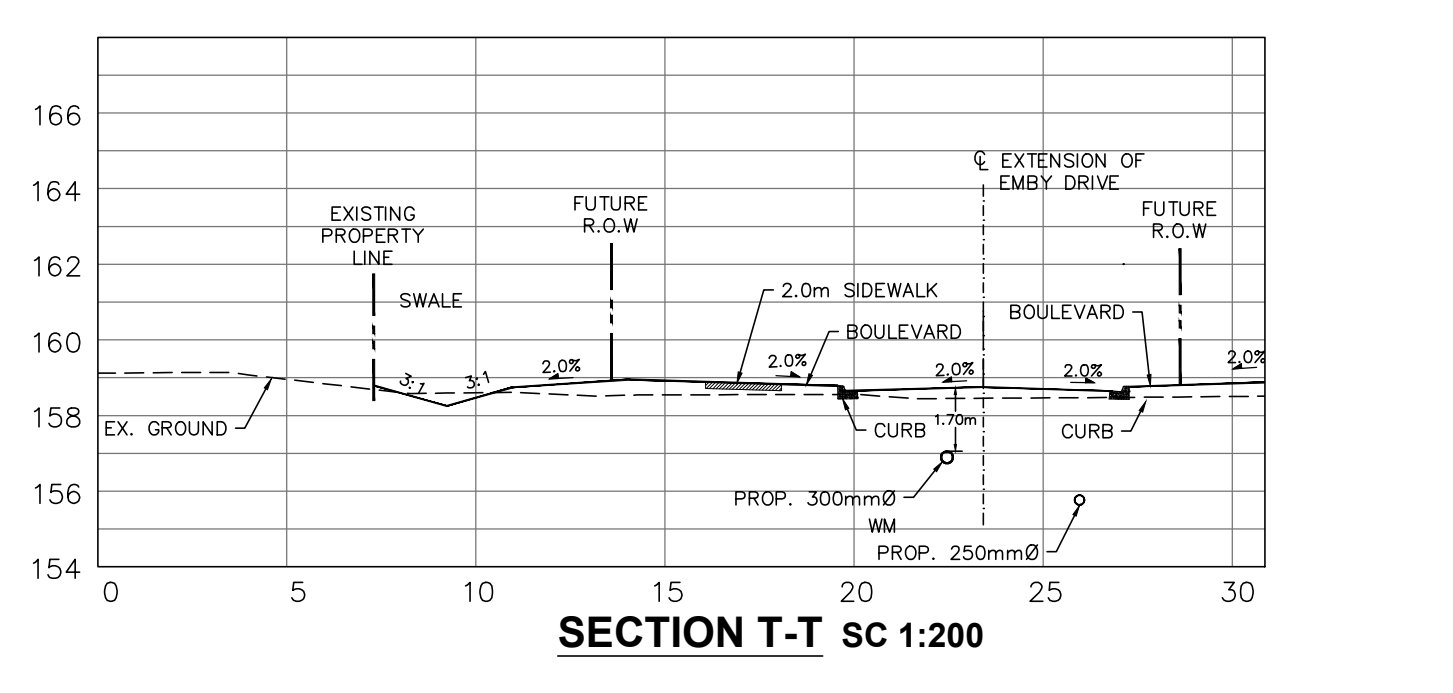
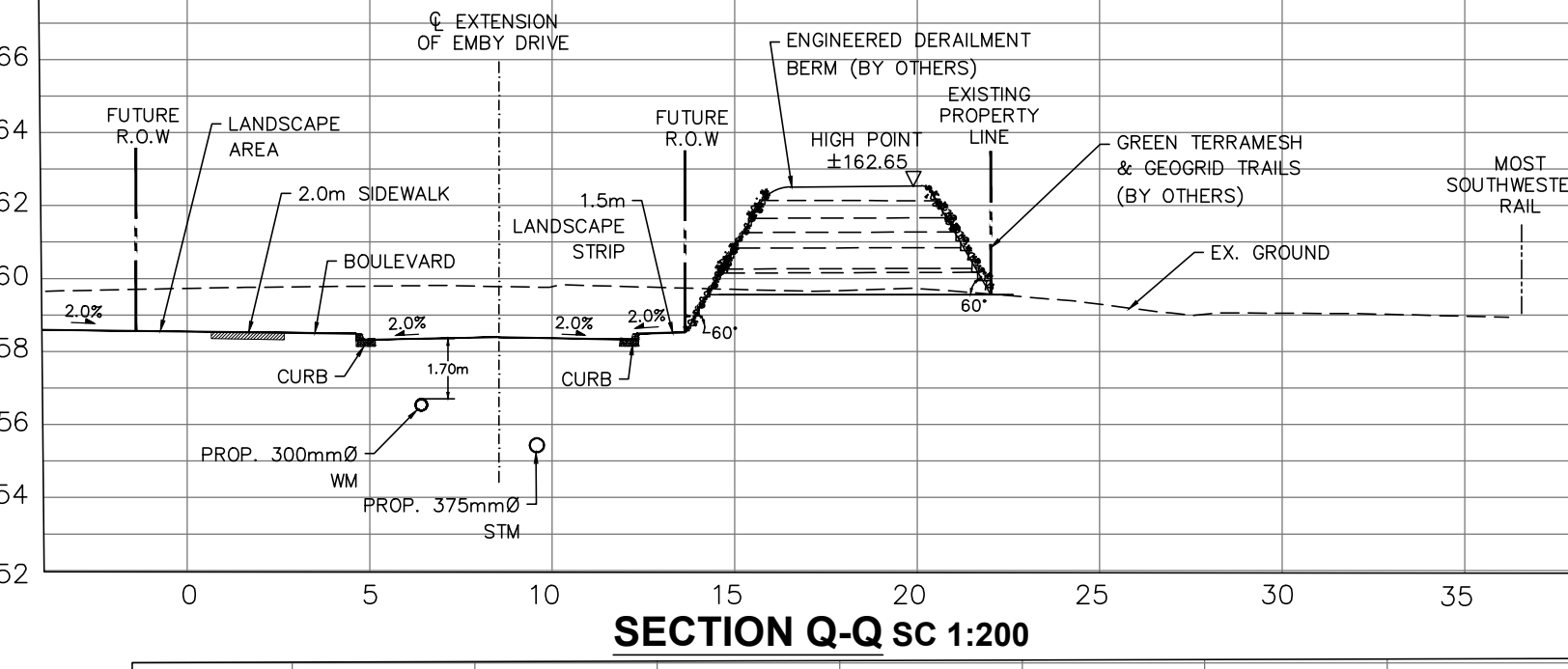
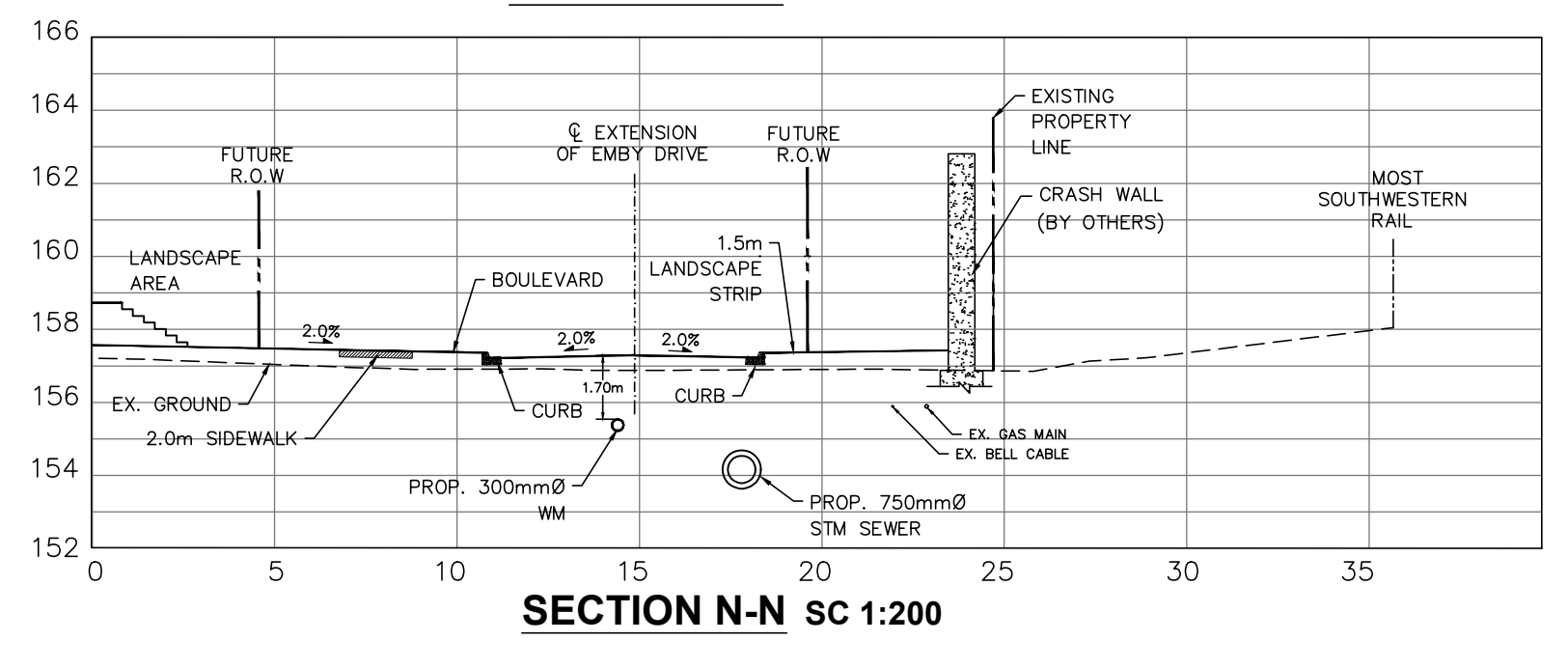
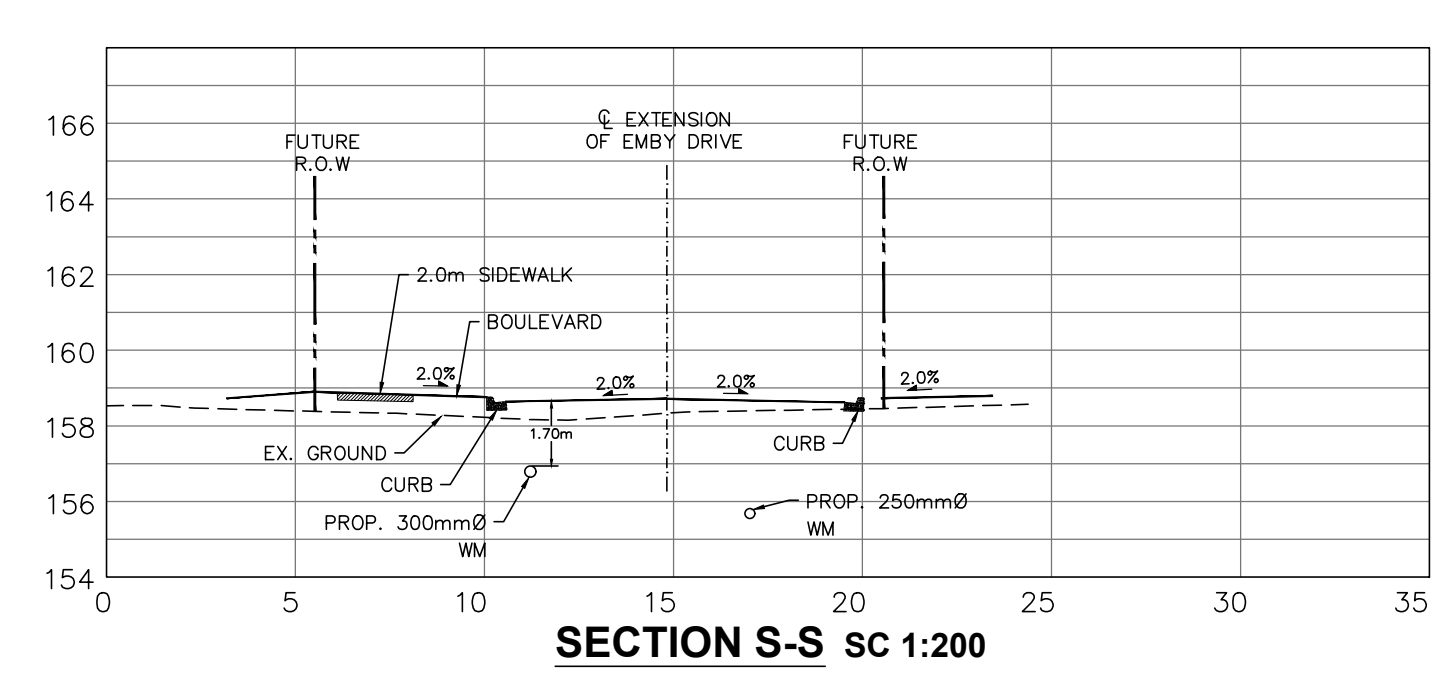
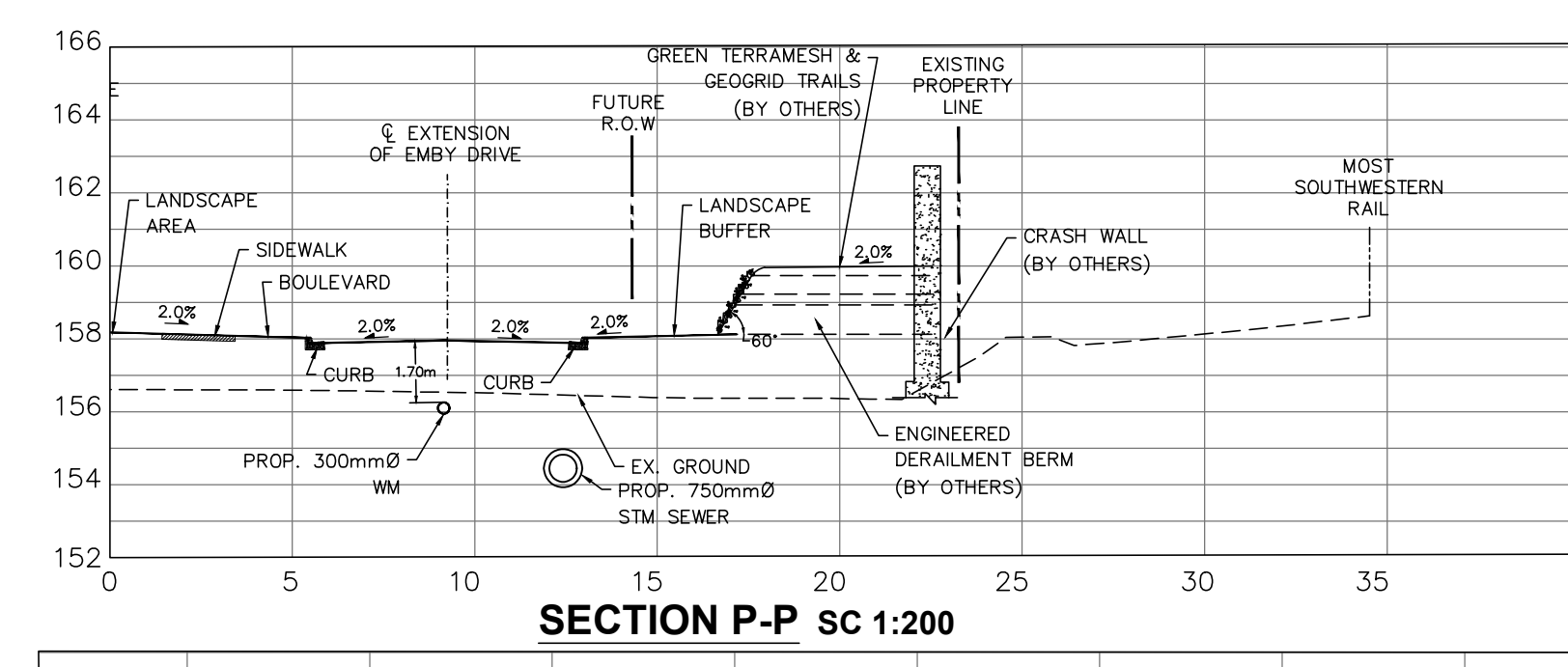
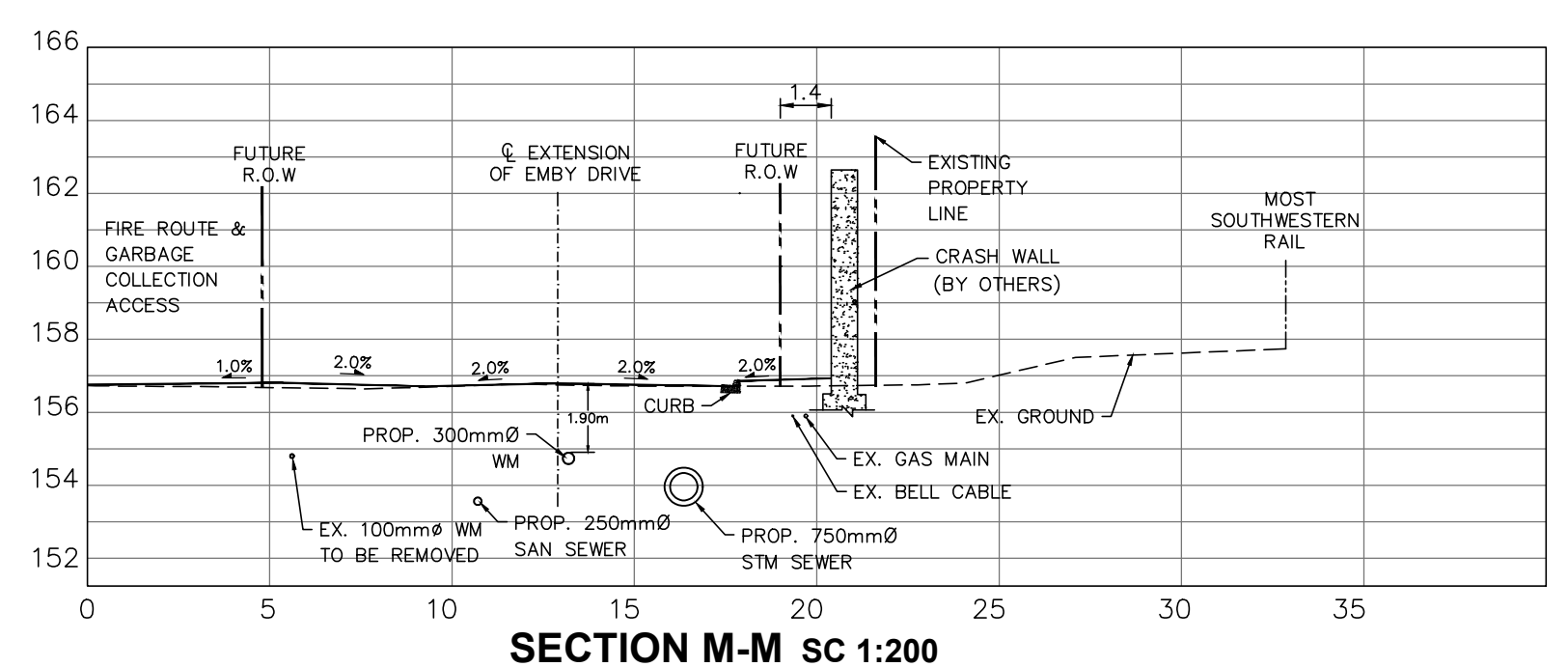


- GENERAL NOTES:**
- REFER TO DWG. C-100 FOR PROPOSED GRADING PLAN.
  - REFER TO DWG. C-101 FOR PROPOSED SEWERS AND WATERMAIN.



No.	DATE	DESCRIPTION
1	2019/08/27	ISSUED FOR ZBA RESUBMISSION
2	2020/08/07	ISSUED FOR ZBA RESUBMISSION

625 Cochrane Drive, Suite 900  
Markham, Ontario  
L3R 9S9, Canada  
Tel: (905) 470-0015 Fax: (905) 470-0030

**LEA Consulting Ltd.**  
Consulting Engineers  
and Planners  
www.LEA.ca

**Professional Engineer**  
F. MORSE  
10020208  
AUG. 07  
2020  
Province of Ontario

**51-57 TANNERY STREET DEVELOPMENT  
EMBY EXTENSION CROSS SECTIONS**

DESIGN	F.M.	DRAWN	M.N.	CHECKED	R.B.	CONTRACT No.	18038	
SCALE:	1:200 (FULL SIZE)						DRAWING NUMBER	<b>C-106</b>
DATE:	JULY, 2020							

Aug. 06, 2020, 7:10pm  
DRAWING NAME: F:\18038\Drawing\Contract Drawings\C-101\_105\_106 Cross Sections.dwg